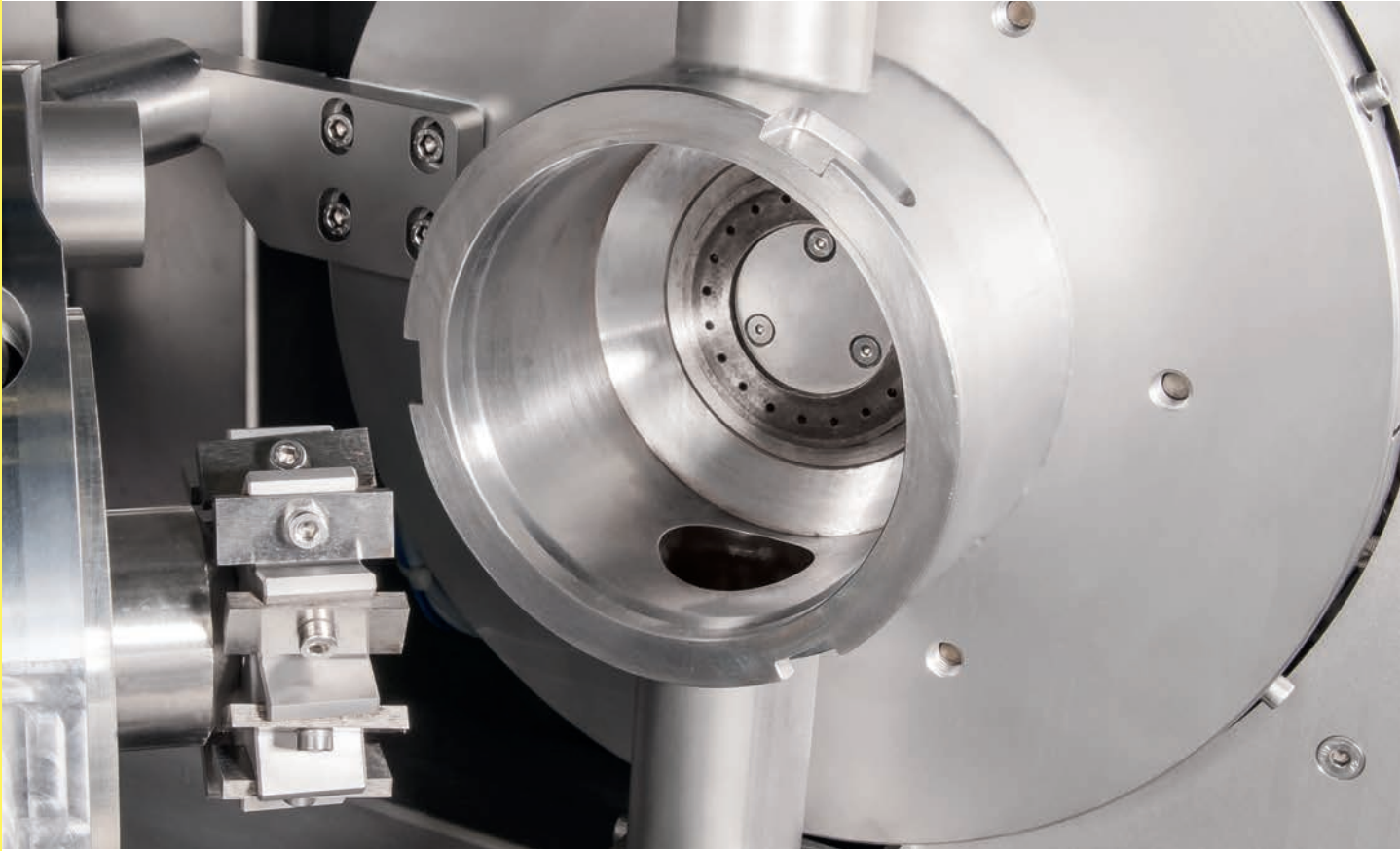


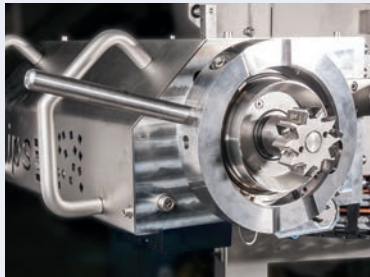
# Underwater pelletizing system ips-UWG-S



- Simple operation with high system security
- Compact construction with good accessibility of all components
- Swiveling pelletizer for outstanding accessibility
- Simple, manual single-hand locking mechanism of the cutting chamber with additional automatic locking and safety monitoring
- Simple change of the cutter hub
- Automatic starting and stopping of the entire system at the push of a button
- Ergonomic operator guidance via graphic touch-user interface
- Process monitoring with automatic shutdown to avoid time-consuming cleaning and maintenance work
- Innovative design of automatic contact pressure adjustment of the knives with wear indication of the knives
- Display torque pelletizer drive
- Cartridge heater monitoring with indication of position of defective cartridge heaters
- Agglomerate catcher with automatic ejection

## Design details

- One joint machine base frame with castors, movable, for the complete pelletizing unit
- Particularly simple change of the die plate thanks to the innovative swiveling system pelletizer
- Height adjustment of the complete pelletizing unit to adapt to upstream system components
- Very good accessibility underneath the pelletizing unit and the polymer diverter valve
- Control panel including touch-user interface to control all parts of the system, fitted to the machine base frame
- Bypass-piping of pelletizer for fast, secure start of production and simple water removal of the cutting chamber at the end of production
- Integrated sight glass in the process water piping system for simple visual checking of the pelletizing process
- Pellet dryer with frequency-controlled ventilator and integrated water separator at the exhaust air outlet



Single-hand locking mechanism of the cutting chamber



Change of die plate



Simple change of the cutter hub



Machine base frame with castors to support the pelletizing unit and the control panel



Pelletizer with swiveling system



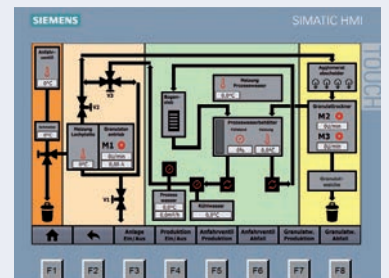
Very good accessibility underneath the pelletizing unit and the polymer diverter valve



Start of the pelletizing process at the push of a button



Swivelling control panel



Process visualisation and control via touch-user interface

## ips-UWG-S system components

### New automatic contact pressure adjustment of the knives

- Automatic control with comfortable input of the nominal figures via the touch-user interface
- **Option:** Wear indication of the knives with warning limits



### Pellet dryer Type ips-GT

- Centrifugal dryer with pre-separation of process water
- Frequency-controlled drive with adjustable dryer speed
- **Option:** Rotation monitoring of the centrifugal dryer
- **Option:** Agglomerate catcher with automatic ejection
- **Option:** Adjustable ventilator speed
- **Option:** Pellet switch in the pellet outlet of the pellet dryer

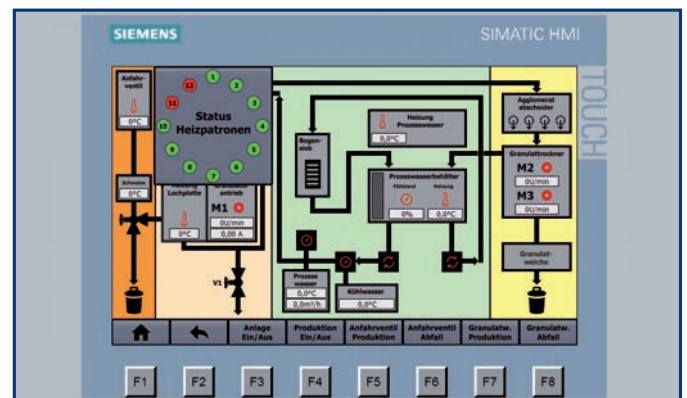


### Polymer diverter valve

- Compact construction
- Electric heating and hydraulic operation
- Functionally integrated into the flow control of the underwater pelletizing system

### Process water system Type ips-PWS

- Compact process water system with various possibilities of water filtering:
  - Drawer filter
  - **Option:** Curved screen or band filter in the cycle of the process water cleaning
- Simple and fast cleaning of all components
- Constant process water temperature control with bolted plate heat exchanger
- Process water level control in the process water tank with automatic water refill
- **Option:** Process water heating
- **Option:** Process water flowmeter and monitoring



### **Option:** Cartridge heater monitoring

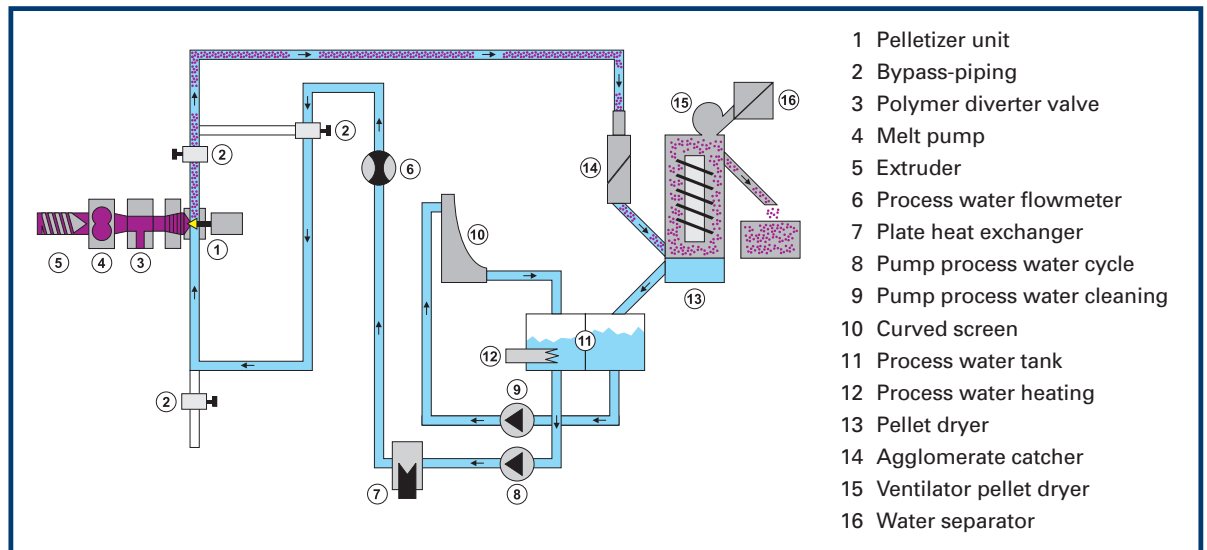
- Monitoring of the cartridge heater function
- Indication of position of defective cartridge heaters integrated into the process visualisation

**Technical data**

Size	ips-UWG 75 S	ips-UWG 120 S
Throughput rate (kg/h)	180 – 720*	500 – 2,500*
<b>Polymer diverter valve</b>		
Heating power (kW)	5.0	6.4
Drive power hydraulic system (kW)	7.5	7.5
<b>Pelletizer</b>		
Drive power (kW)	3.0	5.5
Speed range (min. <sup>-1</sup> )	500 – 5,500	500 – 4,500
<b>Die plate</b>		
Heating power (kW)	4.8	12.0
Number of holes	20*	80*
<b>Pellet dryer</b>		
Drive power pellet dryer (kW)	5.5	5.5
Drive power ventilator (kW)	0.55	0.55
<b>Process water system</b>		
Process water volume flow rate (m <sup>3</sup> /h)	15.0	40.0
Volume of process water tank (l)	250/330**	250/330**
Pump process water cycle (kW)	4.0	7.5
Pump process water cleaning (Option) (kW)	2.2	4.0
Process water heating (Option) heating power (kW)	2 x 9.0	4 x 9.0
Process water cleaning standard	Drawer filter	Drawer filter
Process water cleaning options	Curved screen or band filter	Curved screen or band filter

\* depending on application, product, die plate, pellet size, etc.  
\*\* standard process water system or with process water cleaning

**Process diagram**



We reserve the right to make changes without notice. The illustrations may include options and accessories that are not part of the standard scope of supply.

